



LATCHING SOLENOIDS | Pull type

Transmotec sell a broad range of high quality solenoids in standard and customized configurations. Transmotec is the ideal supplier source especially to instrument and apparatus builders. We keep a high number of motors in stock for immediate delivery.

Customizations include:

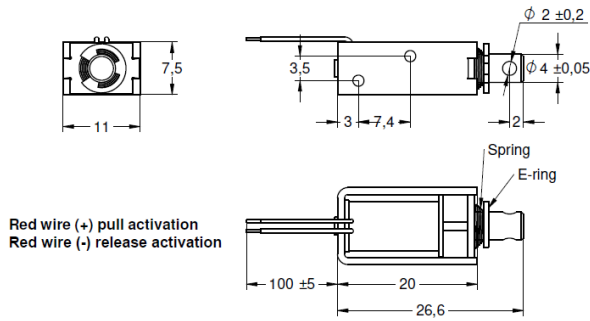
- ✓ Customized harness
- ✓ Winding configuration
- ✓ Plunger configuration
- ✓ And more...

TABLE OF CONTENTS

Model	Length	Width	Height	Page
K0420L	20	7,5	11	1
K0520L	20	13	16	2
K0625L	25	13	15	3
K0730L	31	16	14	4
K1037L	37	20	26	5
K1240L	40	24	29	6
K1253L	53,5	27	30	7

K0420L (latching pull type)

DRAWING (mm)



PHOTO



MODEL NO. DESIGNATION

K0420L - VOLTAGE

Example: K0420L-12V

SOLENOID DATA

Duty cycle / ED (%) ▶	Continuous (100%)	Intermittent (50%)	Intermittent (25%)	Intermittent (10%)
Watts @ 20°C ▶	1	2	4	10
Maximum time in energized state (in seconds) ▶	∞	18	12	4

Part ▼	Resistance (20°C) $\pm 10\%$ (Ω) ▼	DC Volts (V) ▼			
K0420L-06V	36	6	8.5	12	19
K0420L-12V	144	12	17	24	38
K0420L-24V	576	24	34	48	76

SOLENOID FEATURES AND STANDARD DATA

	STANDARD	CUSTOMIZATION OPTIONS
Type	Pull type latching DC solenoid	
Cable	Flying wire 230mm	Length, type and connector
Voltage	3 to 24 VDC @ 100% ED	Other voltages upon request
Life time	At least 500.000 single strokes	
Plunger material	Carbon steel 12L14	
Protection class	IP00	
Insulation grade	B	
Operating temperature	-5°C ... +40°C	
Manufacturing quality standards	ISO9001:2008, ISO/TS 16949:2002	
RoHS compliance	Yes	
CE approval	No	
UL approval	No	

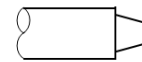
ADDITIONAL DATA

Holding force, permanent magnet	100g
Weight	10g
Return spring	Yes

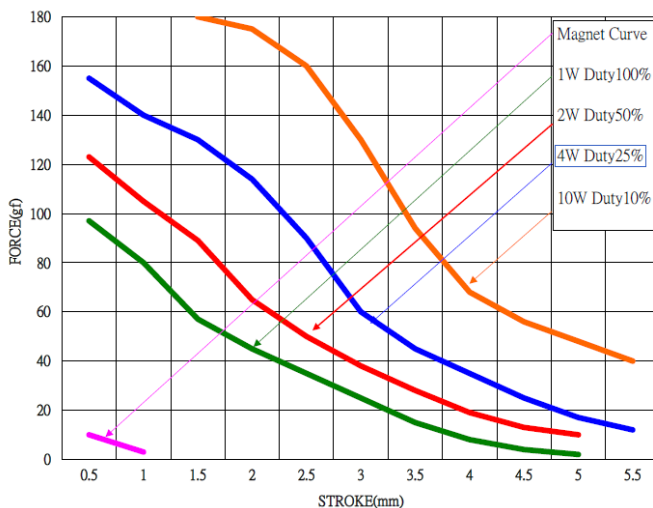
SPRING DATA

Loading force @ 3mm compression	18g
Loading force @ ? compression	?

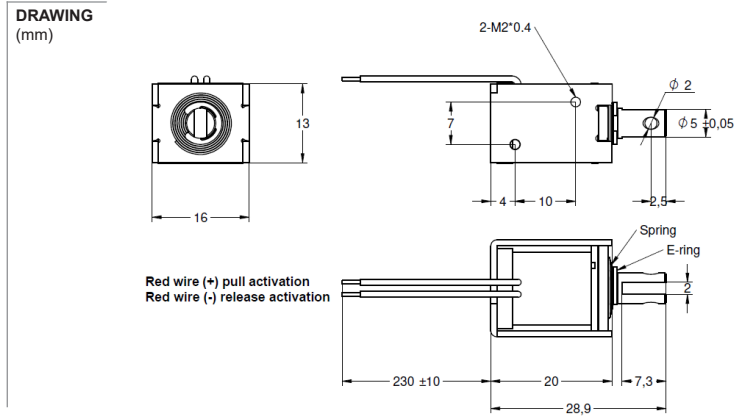
PLUNGER PROFILE



DIAGRAM



K0520L (latching pull type)



PHOTO



MODEL NO. DESIGNATION

K0520L - VOLTAGE

Example: K0520L-12V

SOLENOID DATA					
Duty cycle / ED (%) ▶		Continuous (100%)	Intermittent (50%)	Intermittent (25%)	Intermittent (10%)
Watts @ 20°C ▶		1.5	3	6	15
Maximum time in energized state (in seconds) ▶		∞	18	12	4
Part ▼	Resistance (20°C) \pm 10% (Ω) ▼	DC Volts (V) ▼			
K0520L-06V	24	4.2	6	8.5	13.4
K0520L-12V	96	8.5	12	17	26.8
K0520L-24V	384	17	24	34	53.6

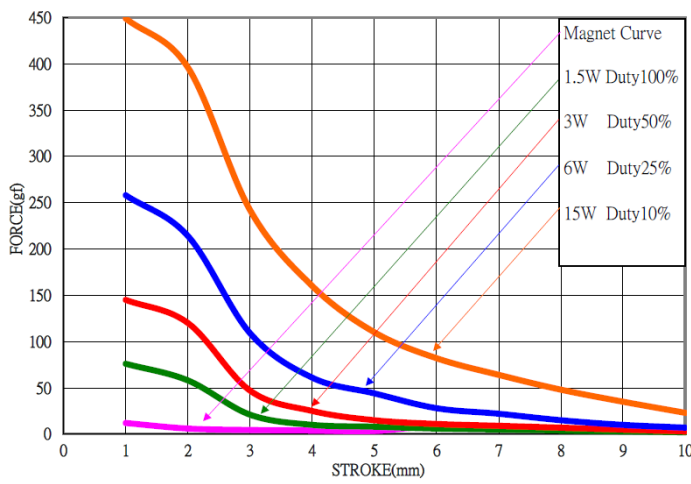
SOLENOID FEATURES AND STANDARD DATA		
	STANDARD	CUSTOMIZATION OPTIONS
Type	Pull type latching DC solenoid	Push type DC solenoid
Cable	Flying wire 230mm	Length, type and connector
Voltage	6 to 24 VDC @ 100% ED	Other voltages upon request
Life time	At least 500.000 single strokes	
Plunger material	Carbon steel 12L14	
Protection class	IP00	
Insulation grade	B	
Operating temperature	-5°C ... +40°C	
Manufacturing quality standards	ISO9001:2008, ISO/TS 16949:2002	
RoHS compliance	Yes	
CE approval	No	
UL approval	No	

ADDITIONAL DATA	
Holding force permanent magnet	200g
Weight	20g
Return spring	Yes

SPRING DATA	
Loading force @ 3mm compression	18g

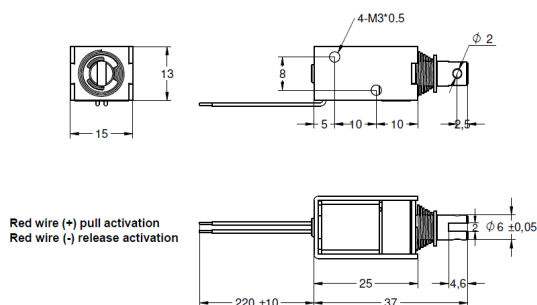


DIAGRAM



K0625L (latching pull type)

DRAWING (mm)



PHOTO



MODEL NO. DESIGNATION

K0625L - VOLTAGE

Example: K0625L-12V

SOLENOID DATA

Duty cycle / ED (%) ▶	Continuous (100%)	Intermittent (50%)	Intermittent (25%)	Intermittent (10%)
Watts @ 20°C ▶	2.5	5	10	25
Maximum time in energized state (in seconds) ▶	∞	60	34	7

Part ▼	Resistance (20°C) ± 10% (Ω) ▼	DC Volts (V) ▼			
K0625L-06V	14.4	4.2	6	8.5	13.4
K0625L-12V	57.6	8.5	12	17	26.8
K0625L-24V	230.4	17	24	34	53.6

SOLENOID FEATURES AND STANDARD DATA

	STANDARD	CUSTOMIZATION OPTIONS
Type	Pull type latching DC solenoid	Push type DC solenoid
Cable	Flying wire 230mm	Length, type and connector
Voltage	6 to 24 VDC @ 100% ED	Other voltages upon request
Life time	At least 500.000 single strokes	
Plunger material	Carbon steel 12L14	
Protection class	IP00	
Insulation grade	B	
Operating temperature	-5°C ... +40°C	
Manufacturing quality standards	ISO9001:2008, ISO/TS 16949:2002	
RoHS compliance	Yes	
CE approval	No	
UL approval	No	

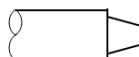
ADDITIONAL DATA

Holding force, permanent magnet	300g
Weight	26g
Return spring	Yes

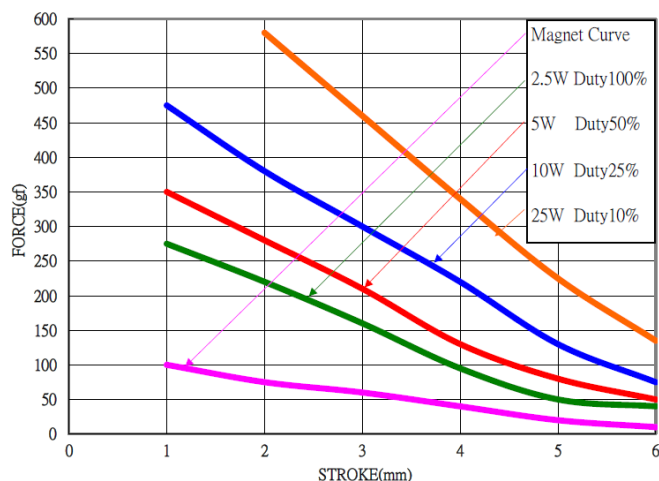
SPRING DATA

Loading force @ 1mm compression	30g
---------------------------------	-----

PLUNGER PROFILE

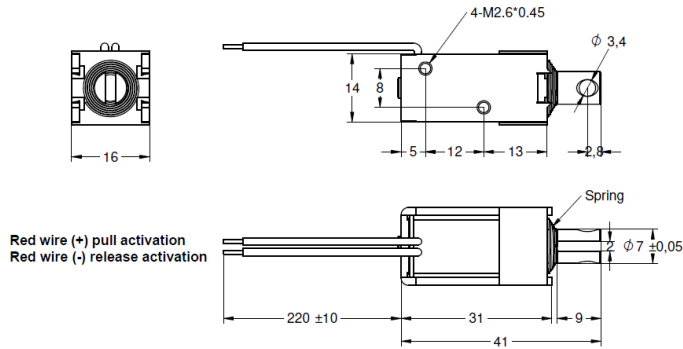


DIAGRAM



K0730L (latching pull type)

DRAWING (mm)



PHOTO



MODEL NO. DESIGNATION

K0730L - VOLTAGE

Example: K0730L-12V

SOLENOID DATA

Duty cycle / ED (%) ▶	Continuous (100%)	Intermittent (50%)	Intermittent (25%)	Intermittent (10%)
Watts @ 20°C ▶	3	6	12	30
Maximum time in energized state (in seconds) ▶	∞	50	25	8

Part ▼	Resistance (20°C) ± 10% (Ω) ▼	DC Volts (V) ▼			
K0730L-06V	12	4.2	6	8.5	13.4
K0730L-12V	48	8.5	12	17	26.8
K0730L-24V	192	17	24	34	53.7

SOLENOID FEATURES AND STANDARD DATA

	STANDARD	CUSTOMIZATION OPTIONS
Type	Pull type latching DC solenoid	Push type DC solenoid
Cable	Flying wire 230mm	Length, type and connector
Voltage	6 to 24 VDC @ 100% ED	Other voltages upon request
Life time	At least 500.000 single strokes	
Plunger material	Carbon steel 12L14	
Protection class	IP00	
Insulation grade	B	
Operating temperature	-5°C ... +40°C	
Manufacturing quality standards	ISO9001:2008, ISO/TS 16949:2002	
RoHS compliance	Yes	
CE approval	No	
UL approval	No	

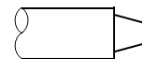
ADDITIONAL DATA

Holding force, permanent magnet	500g
Weight	35g
Return spring	Yes

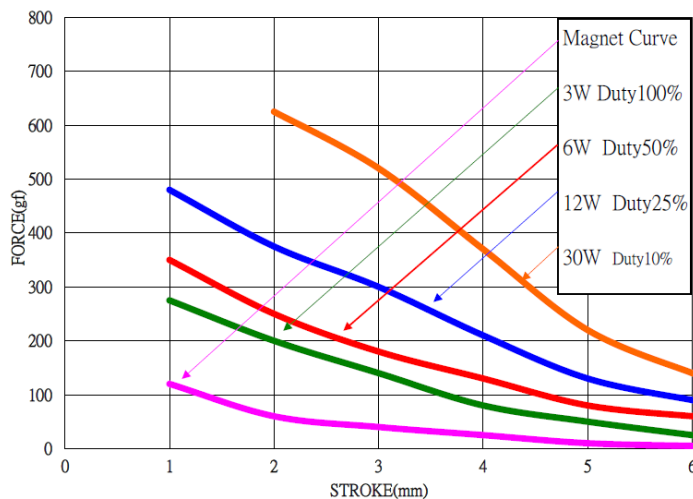
SPRING DATA

Loading force @ 1mm compression	93g
---------------------------------	-----

PLUNGER PROFILE

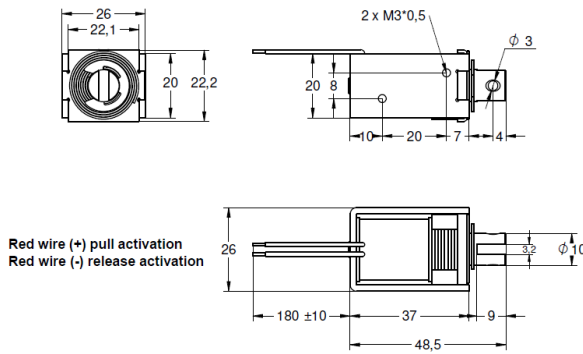


DIAGRAM



K1037L (latching pull type)

DRAWING (mm)



PHOTO



MODEL NO. DESIGNATION

K1037L - VOLTAGE

Example: K1037L-12V

SOLENOID DATA

Duty cycle / ED (%) ▶	Continuous (100%)	Intermittent (50%)	Intermittent (25%)	Intermittent (10%)
Watts @ 20°C ▶	4	8	16	40
Maximum time in energized state (in seconds) ▶	∞	160	90	30

Part ▼	Resistance (20°C) ± 10% (Ω) ▼	DC Volts (V) ▼			
K1037L-06V	9	4.2	6	8.5	13.4
K1037L-12V	36	8.5	12	17	26.8
K1037L-24V	144	17	24	34	53.7

SOLENOID FEATURES AND STANDARD DATA

	STANDARD	CUSTOMIZATION OPTIONS
Type	Pull type latching DC solenoid	Push type DC solenoid
Cable	Flying wire 230mm	Length, type and connector
Voltage	6 to 24 VDC @ 100% ED	Other voltages upon request
Life time	At least 500.000 single strokes	
Plunger material	Carbon steel 12L14	
Protection class	IP00	
Insulation grade	B	
Operating temperature	-5°C ... +40°C	
Manufacturing quality standards	ISO9001:2008, ISO/TS 16949:2002	
RoHS compliance	Yes	
CE approval	No	
UL approval	No	

ADDITIONAL DATA

Holding force, permanent magnet	2000g
Weight	95g
Return spring	Yes

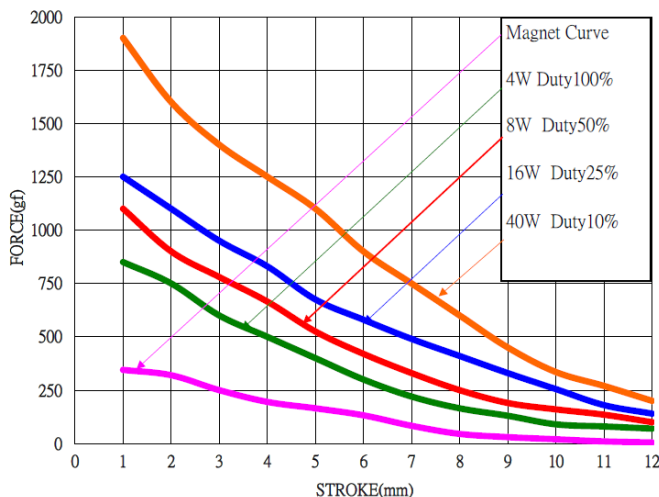
SPRING DATA

Loading force @ 10mm compression	73g
----------------------------------	-----

PLUNGER PROFILE

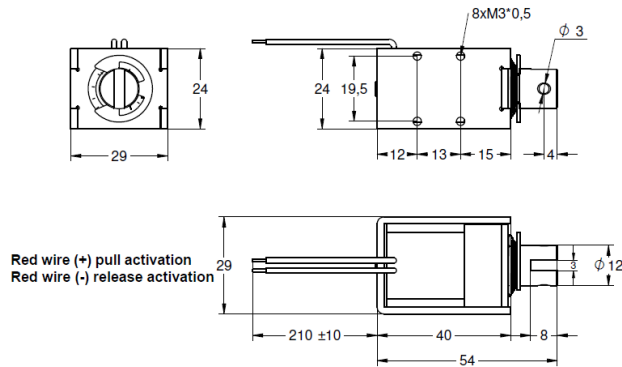


DIAGRAM



K1240L (latching pull type)

DRAWING (mm)



PHOTO



MODEL NO. DESIGNATION

K1240L - VOLTAGE

Example: K1240L-12V

SOLENOID DATA

Duty cycle / ED (%) ▶	Continuous (100%)	Intermittent (50%)	Intermittent (25%)	Intermittent (10%)
Watts @ 20°C ▶	6	12	24	60
Maximum time in energized state (in seconds) ▶	∞	60	30	10

Part ▼	Resistance (20°C) ± 10% (Ω) ▼	DC Volts (V) ▼			
K1240L-06V	6	4.2	6	8.5	13.4
K1240L-12V	24	8.5	12	17	26.8
K1240L-24V	96	17	24	34	53.7

SOLENOID FEATURES AND STANDARD DATA

	STANDARD	CUSTOMIZATION OPTIONS
Type	Pull type latching DC solenoid	Push type DC solenoid
Cable	Flying wire 230mm	Length, type and connector
Voltage	6 to 24 VDC @ 100% ED	Other voltages upon request
Life time	At least 500.000 single strokes	
Plunger material	Carbon steel 12L14	
Protection class	IP00	
Insulation grade	B	
Operating temperature	-5°C ... +40°C	
Manufacturing quality standards	ISO9001:2008, ISO/TS 16949:2002	
RoHS compliance	Yes	
CE approval	No	
UL approval	No	

ADDITIONAL DATA

Holding force, permanent magnet	2200g
Weight	145g
Return spring	Yes

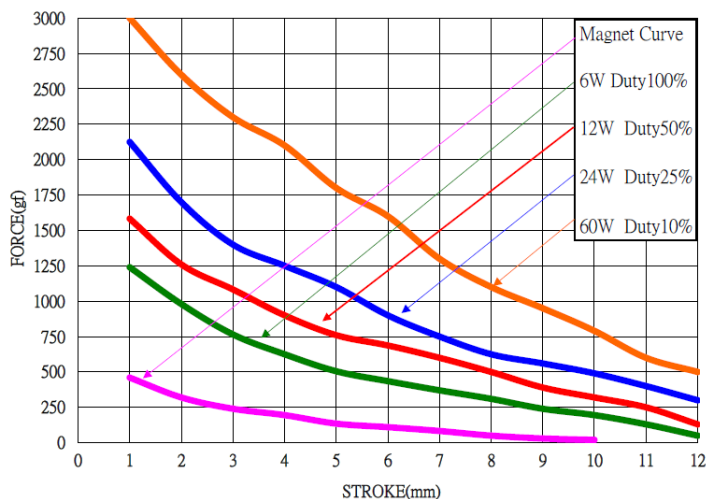
SPRING DATA

Loading force @ 5mm compression	60g
---------------------------------	-----

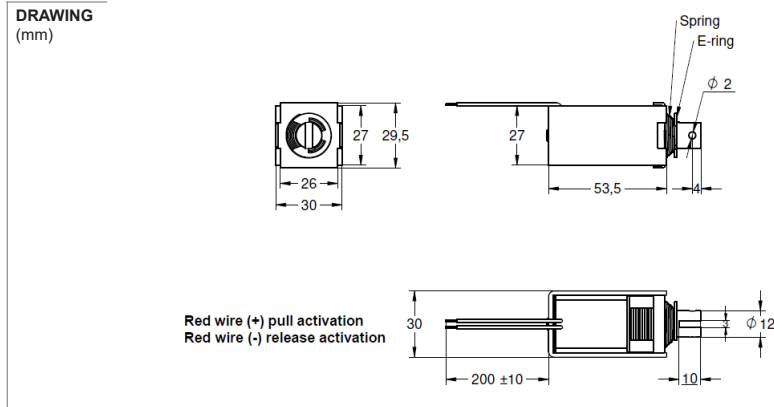
PLUNGER PROFILE



DIAGRAM



K1253L (latching pull type)



PHOTO



MODEL NO. DESIGNATION

K1253L - VOLTAGE

Example: K1253L-12V

SOLENOID DATA					
Duty cycle / ED (%) ▶	Continuous (100%)	Intermittent (50%)	Intermittent (25%)	Intermittent (10%)	
Watts @ 20°C ▶	8	16	32	80	
Maximum time in energized state (in seconds) ▶	∞	100	50	15	
Part ▼	Resistance (20°C) ± 10% (Ω) ▼	DC Volts (V) ▼			
K1253L-06V	4.5	4.2	6	8.5	13.4
K1253L-12V	18	8.5	12	17	26.8
K1253L-24V	72	17	24	34	53.7

SOLENOID FEATURES AND STANDARD DATA		
	STANDARD	CUSTOMIZATION OPTIONS
Type	Pull type latching DC solenoid	Push type DC solenoid
Cable	Flying wire 230mm	Length, type and connector
Voltage	6 to 24 VDC @ 100% ED	Other voltages upon request
Life time	At least 500.000 single strokes	
Plunger material	Carbon steel 12L14	
Protection class	IP00	
Insulation grade	B	
Operating temperature	-5°C ... +40°C	
Manufacturing quality standards	ISO9001:2008, ISO/TS 16949:2002	
RoHS compliance	Yes	
CE approval	No	
UL approval	No	

ADDITIONAL DATA	
Holding force, permanent magnet	2500g
Weight	225g
Return spring	Yes

SPRING DATA	
Loading force @ 10mm compression	260g



DIAGRAM

